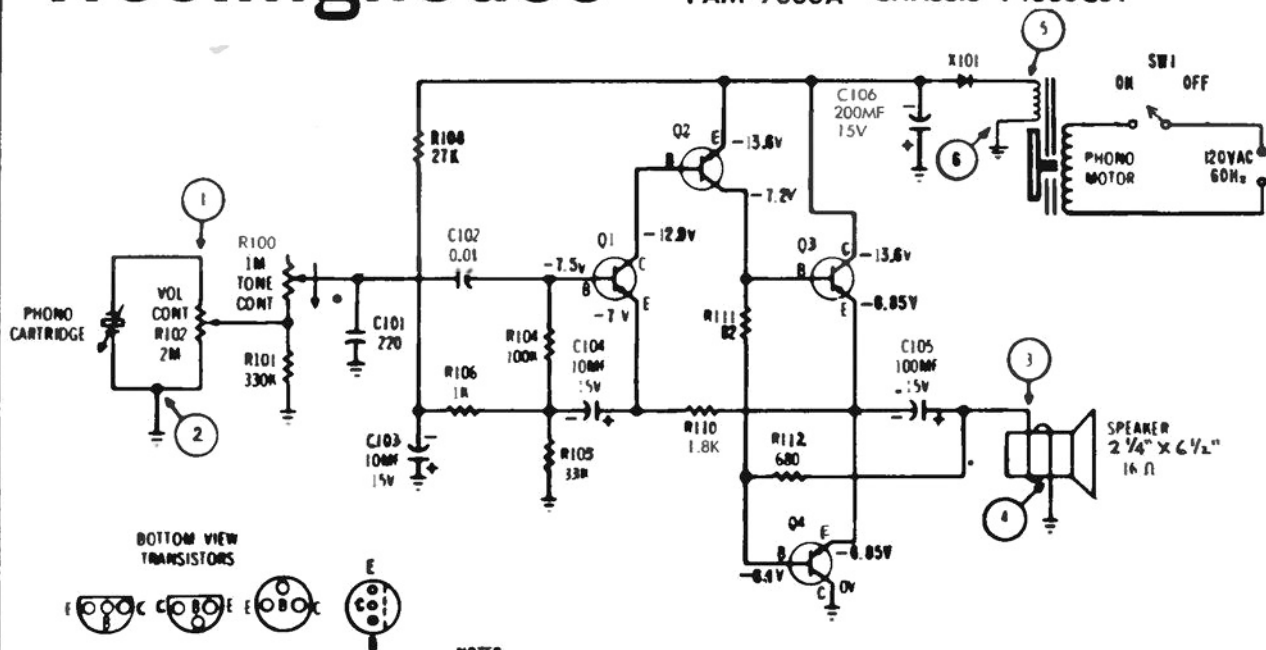


Westinghouse

PAM 7000A CHASSIS V4005C01



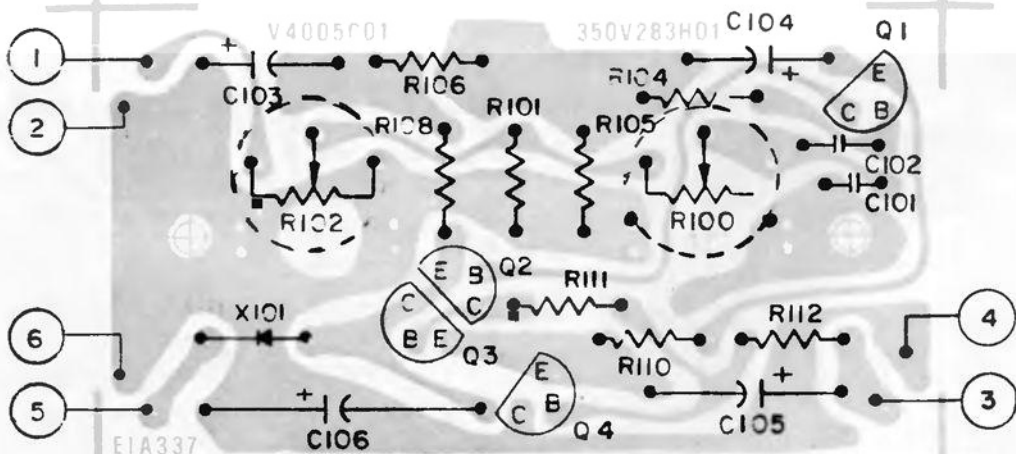
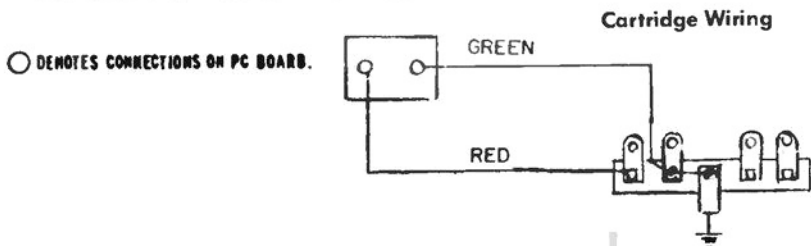
BOTTOM VIEW TRANSISTORS



NOTES:

- UNLESS OTHERWISE INDICATED ALL CAPACITANCE VALUES LESS THAN 1 ARE IN MF AND VALUES GREATER THAN 1 ARE IN PF, ALL RESISTANCE VALUES ARE IN OHMS, 1/2 WATT.
- VOLTAGE MEASUREMENTS MADE WITH A VTVM FROM POINTS INDICATED TO GROUND, VOLUME CONTROL AT MINIMUM, LINE VOLTAGE AT 120VAC.
- DIRECTION OF ARROW INDICATES MAXIMUM TREBLE.

TRANSISTOR COMPLEMENT			
	FUNCTION	TYPE	PART NO.
Q1	INPUT	PNP	297V083C01
Q2	DRIVER	NPN	297V083C02
Q3	OUTPUT	PNP	297V083C03
Q4	OUTPUT	NPN	297V083C04



○ DENOTES CONNECTIONS ON SCHEMATIC